

Technical data sheet Mounting bracket set

Part no.: 560340

BT-SET-240BC

Contents

- Technical data
- Dimensioned drawings



Figure can vary

Technical data

Basic data

Suitable for	MLD 500, MLD 300 multiple light beam safety devices
--------------	---

Mechanical data

Type of fastening, at system	Through-hole mounting
Type of fastening, at device	Clampable
Type of mounting device	Turning, 240°
Mounting device material	Metal

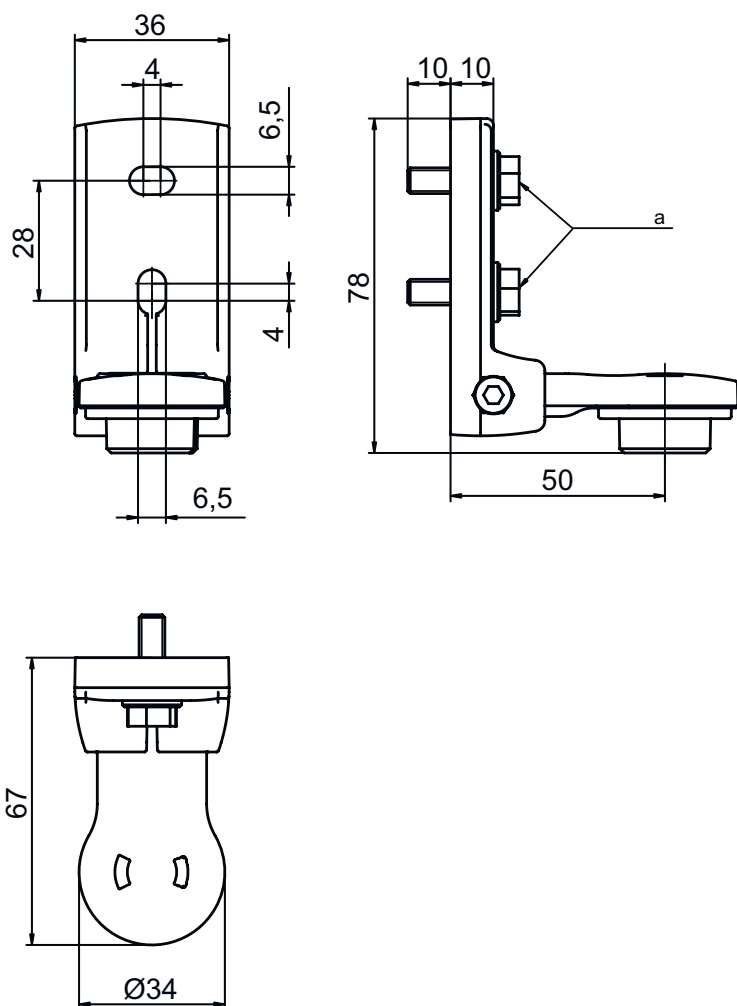
Classification

Customs tariff number	73269098
eCl@ss 8.0	27279202
eCl@ss 9.0	27273701
ETIM 5.0	EC003015
ETIM 6.0	EC003015

Dimensioned drawings

All dimensions in millimeters

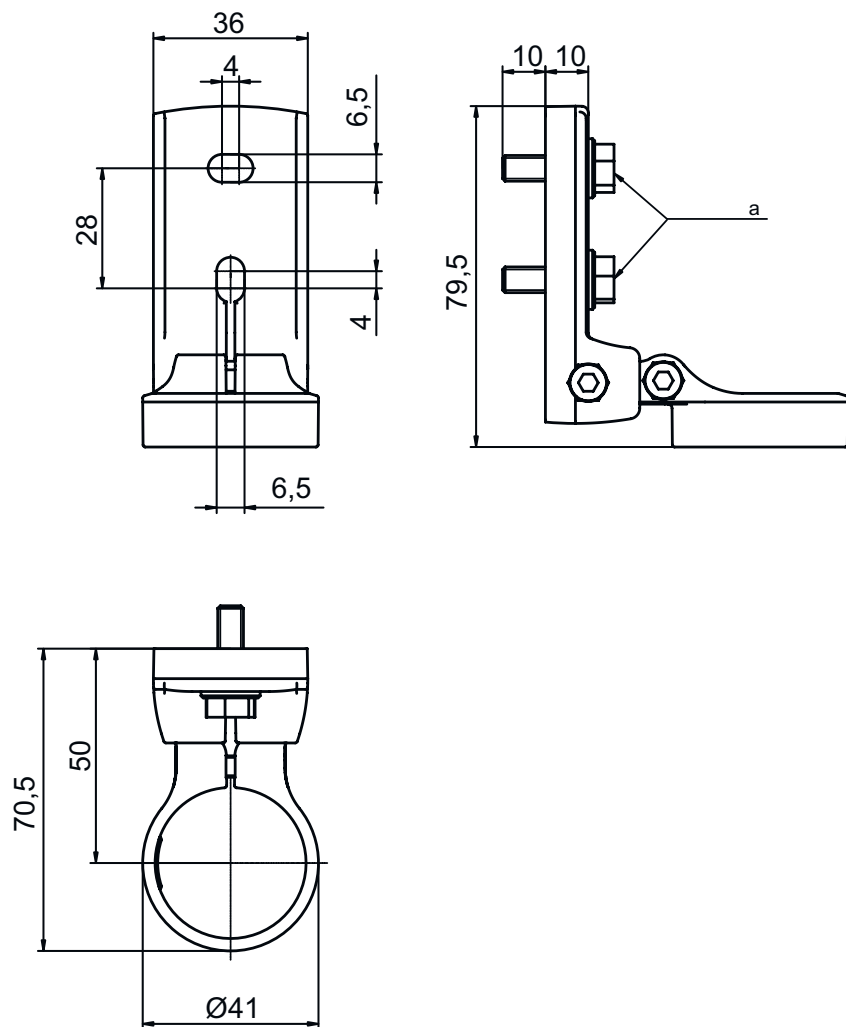
BT-SET-240B swivel mount



a M6 screw

Dimensioned drawings

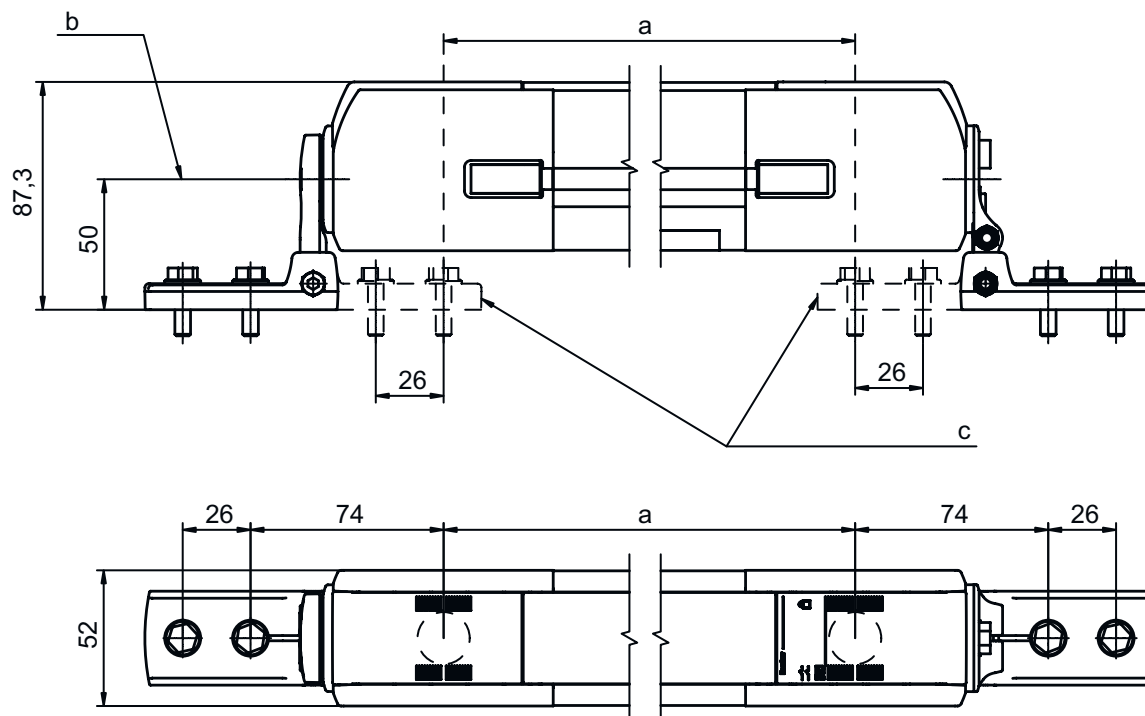
BT-SET-240C swivel mount



a M6 screw

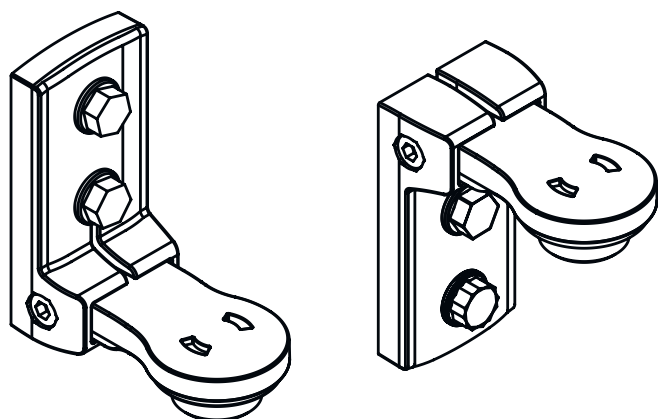
Dimensioned drawings

Mounting dimensions



- a Beam spacing
- b Swivel axis
- c Alternative mounting variant

Mounting dimensions



Dimensioned drawings

Mounting variants

